

# EAN2350

3 Megapixel, H.264, WDR, POE, Network Box Camera



\*Lens sold separately

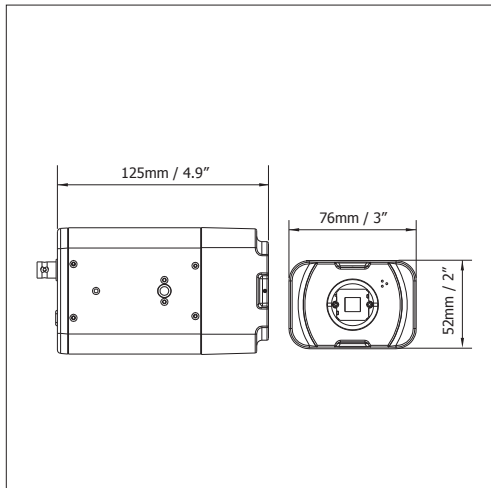
## Features

- Progressive Scan CMOS Sensor
- Dual Streams, Full HD real-time + D1 real-time
- H.264 and M-JPEG Compression
- Motion Detection
- Privacy Masks
- WDR
- Smart Picture Quality/3DNR
- Day/Night (ICR)
- Auto Iris Lens support
- Micro SD support
- BNC Analog output
- PoE support
- ONVIF Support

## Specifications

Model Name	EAN2350	
Image Sensor	1/2.7" Progressive CMOS	
Picture Elements	1920(H) x 1080(V)	
Shutter Speed	1~ 1/10000 sec.	
White Balance	Manual / AWB / ATW	
C/CS mount Lens	C/CS mount Lens (Lens sold separately)	
Video Compression	H.264 / M-JPEG	
Resolution	H.264	3M(2048x1536)/Full HD 1080p/SXGA/HD 720p/XGA/SVGA/D1/VGA/CIF
	M-JPEG	Full HD 1080p/SXGA/HD 720p/XGA/SVGA/D1/VGA/CIF
Brightness	Manual	
Exposure	Auto/Manual	
Sharpness	Manual	
Contrast	Manual	
White Balance	Auto/Manual	
Saturation	Manual	
Backlight Compensation	On/Off	
Hue	Manual	
Digital Zoom	Support	
WDR	On/Off	
3D Noise	On/Off	
Motion detection	On/Off	
Privacy Mask	On/Off	
Privacy Mask Type	Color	
ICR	Auto/On/Off	
Tampering Alarm	On/Off	
Two-way Audio	Line out, Line in/Mic in	
Audio Compression	G.711 / G.726	
Alarm Input	5V 10kΩ pull up	
Alarm Output	Photo Relay Output 300VDC/AC	
Event Notification	HTTP, FTP, SMTP	
Multiple Languages	English, French, German, Italian, Korean, Simplified Chinese, Russian	
Interface	10/100Mbps Ethernet (RJ-45)	
Password Levels	User and Administrator	
User Account	20	
Lens Mounting	C / CS mount	
Operating Temperature	-10°C ~ 50°C / 14°F ~ 122°F (10% to 90% Humidity), No Condensation	
Power Source	12VDC/24VAC/PoE	
Power Consumption	4W	
Dimensions (L x W x H)	125 x 76 x 52mm / 4.9" x 3" x 2" (w/o lens)	
Weight	330g/0.73lbs	
Certificates	CE, FCC, RoHS Compliant	

## Dimensions



\* Models vary in different countries. Please visit EverFocus regional websites for detailed ordering information  
 \* Lens models and availability vary in different regions

\* All product specifications are subject to change without notice