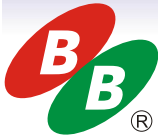




Measures Technology Values Innovation



VRLA Rechargeable Battery

UPS12540W

FEATURES

- Maintenance free(no water topping-up required)
- No free acid(Non-spillable battery)
- Can be used in any orientation(excluding used inverted)
- The battery is designed with very lower resistance and exceeding high power performance
- Long life expectancy 10 years in float application
- Flame-arrestor is installed to ensure safety
- Carry handles for easy installation
- Absorbent Glass Mat technology for efficient gas recombination



APPLICATION

- UPS
- Cable TV
- Golf-Carts
- Telecom
- Power station
- Marine

SPECIFICATIONS

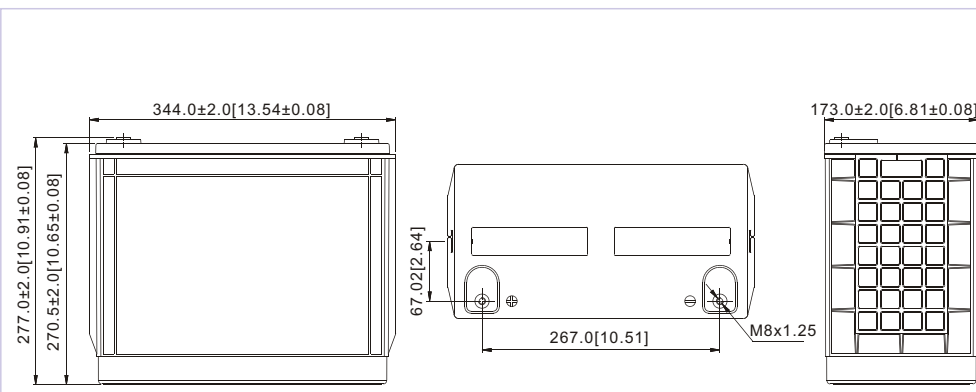
Nominal Voltage	12V	
Nominal Capacity	10 Hour Rate (13.0A, 10.5V)	130.0 Ah
	5 Hour Rate (22.6A, 10.5V)	113.0 Ah
	1 Hour Rate (93.0A, 9.6V)	93.0Ah
	15 Min Rate (540W, 9.6V)	67.5 Ah
Approx. Weight	41.1Kg(90.6lbs.)	
Terminals	I3	
Max. Charge Current	39.0 A	
Operating Temperature Range	Charge	0°C~50°C(32°F~122°F)
	Discharge	-20°C~60°C(-4°F~140°F)
	Storage	-20°C~50°C(-4°F~122°F)
Self Discharge	< 3% per month (25°C)	
Internal Resistance	≤ 2.9mΩ (Fully Charged)	

CONTAINER MATERIAL

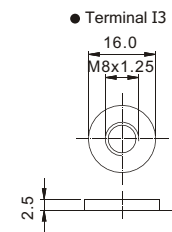
- UPS12540W:
PP: UL 94-HB

WSF ISO9001	WSF ISO14001
UL MH19884	CE C4M20310-2474-E-16
UL	CE
● IEC60896-21/22 ● JIS C 8704-2 ● GB/T 19638.2	

OUTER DIMENSIONS mm(inch)	Length (L)	Width (W)	Container Height (H)	Total Height (TH)
	344.0±2.0(13.54±0.08)	173.0±2.0(6.81±0.08)	270.5±2.0(10.65±0.08)	277.0±2.0(10.91±0.08)

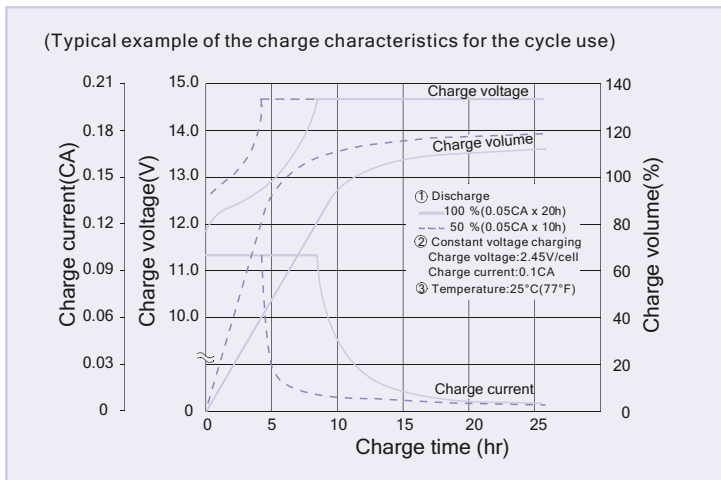


TERMINAL TYPE

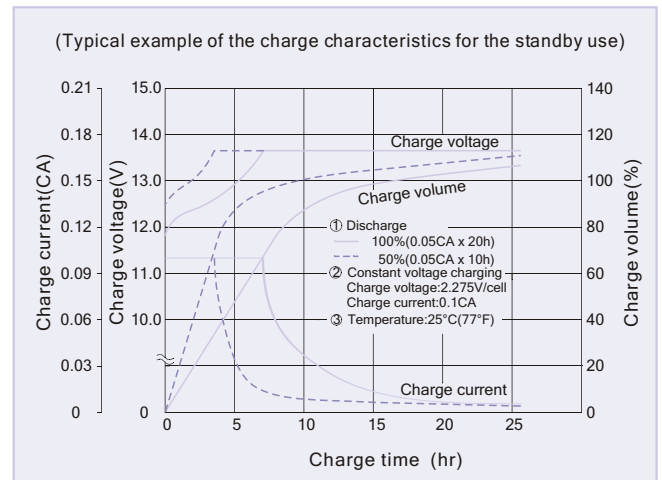


Terminal Hardware Initial Torque:
I3(10.0Nm±5%)

UPS12540W Charging Characteristics



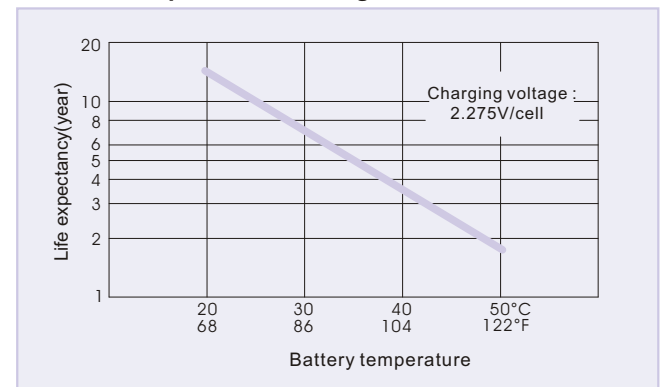
Battery Charging Characteristics



Charging Procedure

Application	Charging method	Charging Voltage at 25°C (V/cell)	Temperature compensation coefficient of charging voltage (mV/°C /cell)	Max. charging current (CA)	Charging time 0.1CA, 25°C (h)		Temp (°C)
					100% discharge	50% discharge	
For standby power Source	Constant voltage & Constant current charging (with current restriction)	2.25~2.30	-3	0.3	24	20	0~50 (32~122°F)
For cycle service		2.40~2.50	-4	0.3	16	10	

Effect Of Temperature On Long Term Float Life



Constant power discharge characteristics at 25 °C/77 °F Unit: W

F.V. (V/cell) \ Discharge Time	5 Min	10 Min	15 Min	20 Min	25 Min	30 Min	40 Min	50 Min	60 Min	90 Min
1.80V	4134	3467	2855	2387	2069	1817	1463	1227	1063.5	756.0
1.75V	4525	3681	3020	2480	2130	1863	1493	1253	1080.0	768.0
1.70V	4888	3832	3123	2544	2172	1893	1514	1268	1092.0	777.0
1.65V	5220	3950	3194	2592	2207	1914	1532	1281	1102.5	783.0
1.60V	5357	4027	3240	2627	2234	1932	1547	1292	1111.5	787.5

Constant current discharge characteristics at 25 °C/77 °F Unit: A

F.V. (V/cell) \ Discharge Time	5 Min	10 Min	15 Min	20 Min	25 Min	30 Min	40 Min	50 Min	60 Min	90 Min
1.80V	374	305	248	204	174	152	122	102	89.4	63.5
1.75V	412	327	261	213	182	158	125	105	90.8	64.5
1.70V	449	349	270	219	186	161	128	107	91.8	65.3
1.65V	492	369	278	224	189	164	129	108	92.7	65.9
1.60V	521	388	282	227	192	165	131	110	93.3	66.3

All data shall be changed without prior notice, BB reserves the right to explain and update the information contained hereinto.

Trial A/0 REV. Sep. 2012

USA:
B&B BATTERY(USA) INC.
6415 RANDOLPH ST.COMMERCE, CA,90040 U.S.A.
TEL:1-323-278-1900.1-800-278-8599
FAX:1-323-278-1268
E-Mail:sales@bb-battery.com

CHINA FACTORY:
B. B. BATTERY CO., LTD.
CHENG DONG TRIAL AREA,HUANG GANG,
RAOPING, GUANG DONG,CHINA,515700
TEL:86-768-7601001-2
FAX:86-768-7601469
E-Mail:maggy@bb-battery.com

EUROPE:
B&B BATTERY(EUROPE) B.V.
SUITE 8, HAAKSBERGWEG 33, 1101
BP AMSTERDAM, THE NETHERLANDS
TEL: 31-30-3200190
MOBILE: 886-933896989
E-Mail: gary@bb-battery.com

HONG KONG:
B&B BATTERY(Hong Kong) Co.
TEL:852-2311-4918
FAX:852-2739-1182
E-Mail:bbhk@hkstar.com

JAPAN:
B&B BATTERY(JAPAN) CO., LTD.
1375-11 NARAHARA-MACHI,HACHIOJI,
TOKYO 193-0803,JAPAN.
TEL:81-426-25-6375
FAX:81-426-25-6375
E-Mail:miyata@bb-battery.com

TAIWAN:
B. B. BATTERY(TAIWAN) CO., LTD.
TEL:886-6-502-5150
FAX:886-6-589-8087
E-Mail:kevin@bb-battery.com