

# EHD630s

700 TVL Super Low Light, D-WDR & 3-Axis Gimbal Mechanism Vandal Proof & Weather Resistant Outdoor IR Dome Camera



<b>700 TVL</b>	<b>3-Axis</b>	<b>Outdoor</b>	<b>Weather Resistant IP66</b>	<b>Vandal Proof</b>	<b>True Day/Night</b>	<b>Motion Detection Support</b>	<b>Privacy Mask</b>
<b>Vari-Focal DC Iris 2.8~10mm</b>	<b>IR 15m/50ft.</b>	<b>DSS Digital Slow Shutter</b>	<b>Sens-up 512x</b>	<b>DIS Digital Image Stabilization</b>	<b>Super Low Lux</b>	<b>D-WDR Extended ATR</b>	<b>POWER 12VDC/24VAC</b>
<b>AWB OSD Setting</b>	<b>AGC ON/OFF</b>	<b>AES 1/50(1.60)~100,000s</b>	<b>OSD Menu</b>	<b>HLC ON/OFF</b>	<b>3DNR</b>	<b>CE</b>	<b>FC</b>



Outdoor IR Dome Cameras

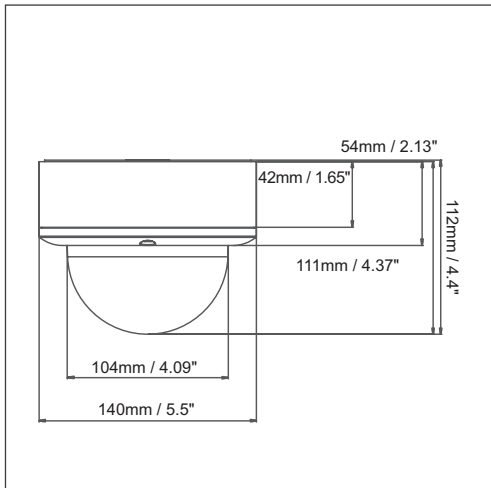
## Features

- 700 TVL superior image quality with Sony 1/3" EXview HAD CCD II 960H sensor
- The starlight Super-high sensitivity of 0.00006 Lux/ F=1.2 is achieved by Digital Slow Shutter (Sens-Up 512x)
- Sony Effio-S platform to perform advanced camera functions and excellent picture quality
- Vari-Focal DC Iris Lens 2.8~10mm
- True Day/Night with ICR module
- Support 3D & 2D Noise Reduction
- High sensitivity, low smear, high anti-blooming and high S/N ratio for high performance video
- 30 IR LEDs reach up to 15m/~50ft. range
- Easy to use OSD Setup Menu
- D-WDR functions by Sony Extended ATR technology fit backlight conditions
- Built-in Back Light Compensation (BLC), High Light Compensation (HLC), Auto Electronic Shutter (AES), Auto Gain Control (AGC) and Auto White Balance (AWB)
- Digital Image Stabilization
- Digital Zoom
- Built-in Motion Detection, Privacy Mask advanced surveillance functions
- 3-Axis Gimbal Mechanism design fits flexible view perspective requirements
- Weather Resistant IP66, Vandal Proof for outdoor usage

## Specifications

Pickup Device	1/3" Sony 960H EXview HAD CCD II	
Video Format	NTSC	PAL
Picture Elements	1020(H) x 508(V)	1020(H) x 596 (V)
Horizontal Resolution	700 TVL	
Sensitivity	0.03 Lux/F=1.2 ; 0.00006 Lux/Sens-up 512x ; 0 Lux (IR LED On)	
S/N Ratio	Over 52dB (AGC off)	
Video Output	1.0Vp-p Composite, 75Ω ; BNC	
Gamma Correction	0.45	
Lens Type	Vari-Focal DC IRIS Lens 2.8~10mm/F1.2	
High Light Compensation	ON/OFF/AUTO CLIP: 0~255 / SCALE: 0~15	
Auto Electronic Shutter	1/60(50) ~1/100,000sec.	
Auto Gain Control	0~200 Levels adjustable	
Auto White Balance	ATW / AWB / 3200K / 6300K / ANTI CR / PUSH LOCK / MANUAL	
Sync. Mode	Internal	
Day & Night Mode	External/Auto/Color/B&W	
IR LED	30 units IR LED	
IR Configuration	IR On < 2Lux; IR Off > 5 Lux	
IR Wavelength	850nm	
IR Range	15m/50ft.	
OSD Menu	OSD Control (English / Traditional Chinese / Simplified Chinese)	
DNR	3DNR: OFF / ON / MIDLOW / MID / MIDHIGH / HIGH 2DNR: OFF / ON / MIDLOW / MID / MIDHIGH / HIGH	
D-WDR (Extended ATR)	OFF/BLC/WDR	
Digital Slow Shutter	Sens-Up ~512x	
Digital Image Stabilization	Yes	
Digital Zoom	Yes	
Mirror	Normal / Vertical / Mirror / Rotate	
Motion Detection	On/Off for 24x16 Detection Zone Blocks	
Privacy Mask	On/Off for 8 Zones Programmable, Mosaic	
Power Source	12VDC/24VAC	
Power Consumption	IR Off: 12VDC: 2.5W / 24VAC: 4W IR On: 12VAC: 6W / 24VAC: 7.5W	
Operating Temperature	-10°C~50°C / 14°F~122°F Option: Heater for -40°C / -40°F	
Dimensions (O.D.xH)	140mm (O.D.) x 112mm (H) / 5.5" (O.D.) x 4.4" (H)	
Weight	1,000g/2.2lbs	
Certificates	CE,FCC	

## Dimensions



Accessories Option: Wall Bracket: BA-611 ; Ceiling Bracket: BA-613 ; Thread Metal Flexible Conduit Fittings: BA-614; Connection Box for Adapter: BA-615

\* All product specifications are subject to change without notice

\* Models vary in different countries. Please visit EverFocus regional websites for detailed ordering information

\* Lens models and availability vary in different regions