

QNO-6010R/6020R/6030R

2Megapixel Full HD Network IR Bullet Camera

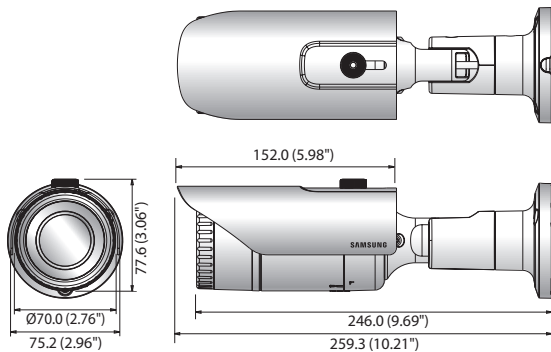


Key Features

- Max. 2M (1920 x 1080) resolution
- Built-in 2.8mm fixed lens (QNO-6010R)
3.6mm fixed lens (QNO-6020R)
6mm fixed lens (QNO-6030R)
- Max. 30fps@all resolutions (H.265/H.264)
- H.265, H.264, MJPEG codec supported, Multiple streaming
- Motion detection, Tampering, Defocus detection
- micro SD (128GB) memory slot, PoE / 12V DC
- IR viewable length 20m (QNO-6010R), 25m (QNO-6020R)
30m (QNO-6030R)
- Hallway view, WiseStream support, IP66, IK10
- LDC support (Lens Distortion Correction)

Dimensions

Unit : mm (inch)



Accessories (Optional)



SBO-100B1

QNO-6010R/6020R/6030R

VIDEO	
Imaging Device	1/2.9" 2.19M CMOS
Total Pixels	2,000(H) x 1,121(V)
Effective Pixels	1,984(H) x 1,105(V)
Scanning System	Progressive
Min. Illumination	Color : 0.15Lux, B/W : 0Lux (IR LED on)
LENS	
Focal Length (Zoom Ratio)	2.8mm fixed (QNO-6010R), 3.6mm fixed (QNO-6020R), 6mm fixed (QNO-6030R)
Max. Aperture Ratio	F1.8
Angular Field of View	H : 110.0° / V : 61.0° / D : 125.0° (QNO-6010R) H : 86.48° / V : 46.22° / D : 102.44° (QNO-6020R) H : 52.54° / V : 28.86° / D : 61.14° (QNO-6030R)
Lens Type	Fixed
Mount Type	Board type
OPERATIONAL	
IR Viewable Length	20m (65.62ft) : QNO-6010R, 25m (82.02ft) : QNO-6020R, 30m (98.43ft) : QNO-6030R
Camera Title	Off / On (Displayed up to 20 characters per line) - W/W : English / Numeric / Special characters - China : English / Numeric / Special / Chinese characters - Common : Multi-line (Max. 5), Color (Grey / Green / Red / Blue / Black / White), Transparency, Auto scale by resolution
Day & Night	True Day & Night
Backlight Compensation	Off / BLC
Wide Dynamic Range	120dB
Digital Noise Reduction	SSNR (Off / On)
Motion Detection	Off / On (4ea polygonal zones)
Privacy Masking	Off / On (6ea rectangular zones)
Gain Control	Off / Low / Middle / High
White Balance	ATW / AWC / Manual / Indoor / Outdoor
LDC (Lens Distortion Correction)	Off / On (5 levels with min / max)
Electronic Shutter Speed	Minimum / Maximum / Anti flicker
Flip / Mirror	Flip / Mirror / Hallway view
Intelligent Video Analytics	Motion detection with metadata, Tampering, Defocus detection
Alarm I/O	Input 1 / Output 1
Alarm Triggers	Motion detection, Tampering detection, SD card error, NAS error, Alarm input, Defocus detection
Alarm Events	File upload via FTP and E-mail, Local storage recording at event, Notification via E-mail, External output
Pixel Counter	Support (Plug-in viewer only)
NETWORK	
Ethernet	RJ-45 (10/100BASE-T)
Video Compression Format	H.265, H.264, MJPEG
Resolution	1920 x 1080, 1280 x 1024, 1280 x 960, 1280 x 720, 1024 x 768, 800 x 600, 720 x 576, 720 x 480, 640 x 480, 320 x 240
Max. Framerate	H.265/H.264 : Max. 30fps at all resolutions, MJPEG : Max. 15fps
Smart Codec	WiseStream
Video Quality Adjustment	H.265/H.264 : Target bitrate level control, MJPEG : Quality level control
Bitrate Control Method	H.265/H.264 : CBR or VBR, MJPEG : VBR
Streaming Capability	Multiple streaming (Up to 3 profiles)
Audio I/O	Line in
Audio Compression Format	G.711 u-law / G.726 selectable G.726 (ADPCM) 8KHz, G.711 8KHz, G.726 : 16Kbps, 24Kbps, 32Kbps, 40Kbps
Audio Communication	Uni-directional audio
IP	IPv4, IPv6
Protocol	TCP/IP, UDP/IP, RTP(UDP), RTP(TCP), RTCP, RTSP, NTP, HTTP, HTTPS, SSL/TLS, DHCP, PPPoE, FTP, SMTP, ICMP, IGMP, SNMPv1/v2c/v3(MIB-2), ARP, DNS, DDNS, QoS, PIM-SM, UPnP, Bonjour
Security	HTTPS(SSL) login authentication, Digest login authentication IP address filtering, User access log, 802.1x authentication
Streaming Method	Unicast / Multicast
Max. User Access	6 users at unicast mode
Storage	micro SD/SDHC/SDXC Max. 128G, NAS - Motion images recorded in the SD memory card can be downloaded - Manual recording at local PC
Application Programming Interface	ONVIF Profile S/G, SUNAPI (HTTP API)
Webpage Language	English, French, German, Spanish, Italian, Chinese, Korean, Russian, Japanese, Swedish, Danish, Portuguese, Turkish, Polish, Czech, Rumanian, Serbian, Dutch, Croatian, Hungarian, Greek, Norwegian, Finnish
Web Viewer	Supported OS : Windows 7, 8, 10, Mac OS X 10.8, 10.9, 10.10, 10.11 Non-plugin Webviewer - Supported Browser : Google Chrome 47, MS Edge 20 - Support Codec : - Video : H.264, MJPEG (Max. 1M 15fps) - Audio : G.711 Plug-in Webviewer Supported Browser : MS Explore 11, Mozilla Firefox 43, Apple Safari 9 * Mac OS X only
Central Management Software	SmartViewer
ENVIRONMENTAL	
Operating Temperature / Humidity	-30°C ~ +55°C (-22°F ~ +131°F) / Less than 90% RH * Start up should be done at above -20°C (-4°F)
Storage Temperature / Humidity	-30°C ~ +60°C (-22°F ~ +140°F) / Less than 90% RH
Ingress Protection	IP66
Vandal Resistance	IK10
ELECTRICAL	
Input Voltage / Current	PoE (IEEE802.3af, Class3) / 12V DC
Power Consumption	Max. 7W (PoE), Max. 6W (12V DC)
MECHANICAL	
Color / Material	Dark gray / Metal
Dimensions (WxH)	Ø70.0 x 246.0mm (Ø2.76" x 9.69") (Without sunshield)
Weight	730g (1.61 lb)

* The latest product information / sepecification can be found at <http://security.hanwhatechwin.com>